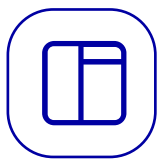


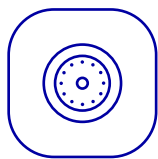
JILONG
Since 1993

KL-23F

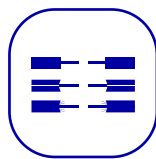
High Precision Fiber Cleaver



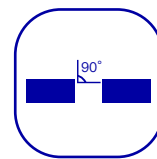
Hand held
design



48000
Blade life



Double
Fiber Holders



$\leq 0.5^\circ$
Cleaved angle



Fiber
Offcut Bin



Characteristics Description

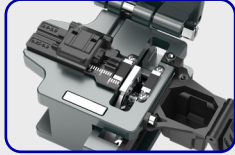
- Traditional bench top design, simple and easy to use
- Typical Cleave Angel 0.5°
- Applicable to $250\mu\text{m}$, $900\mu\text{m}$, 3.0mm fiber cable and flat cable
- Double Fiber Holders
- Blade life 48,000 cleaves
- Large capacity waste fiber bin, reduce pollution and scratches



Main Features



Silicone pressure pad can effectively hold down the fiber.



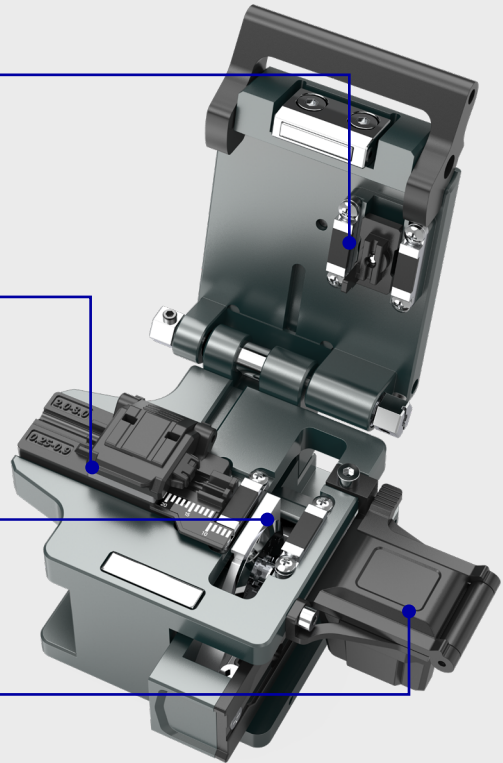
Applicable to 250 μ m, 900 μ m, 3.0mm fiber cable and flat cable



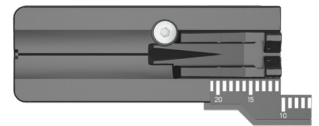
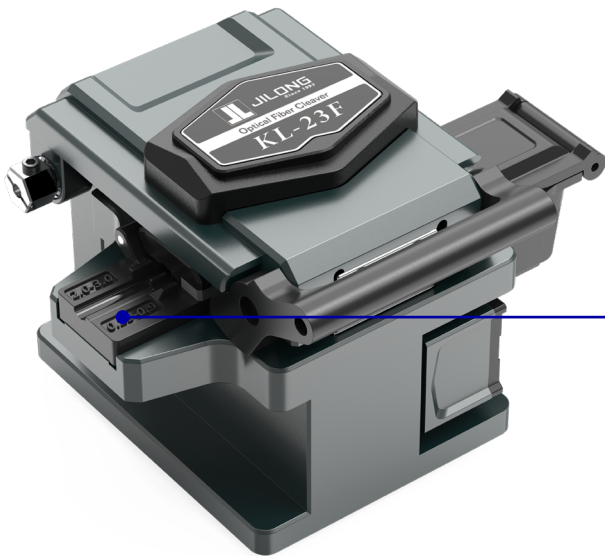
Tungsten steel refined blade
Wear resistance, high hardness, corrosion resistance.



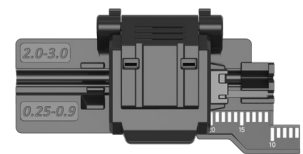
Large capacity waste fiber bin



Double Fiber Holders

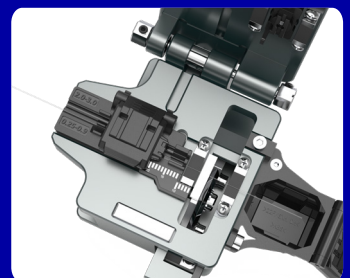
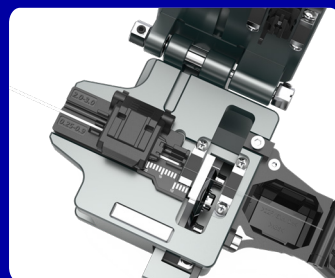
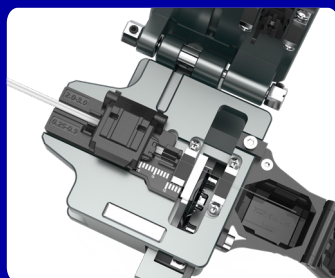
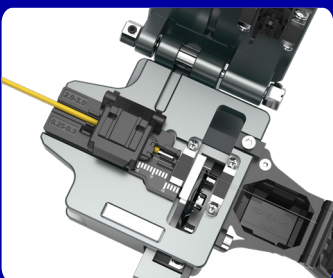


Beginner use, easy and efficient



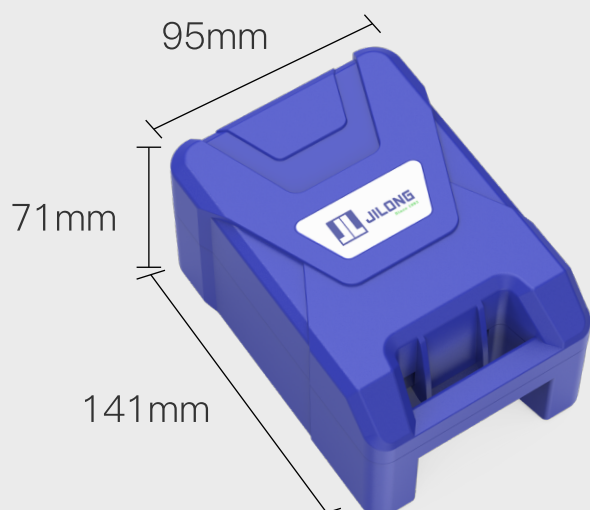
Veteran use, fast and convenient

Applicable to 250 μ m, 900 μ m, 3.0mm fiber cable and flat cable



Special carrying case

The card slot in the box is designed to effectively protect the cleaver body from damage.



Product Specifications

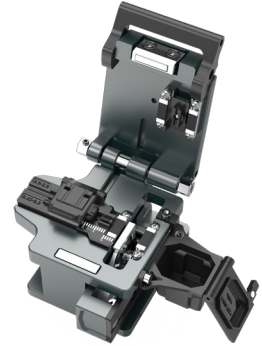
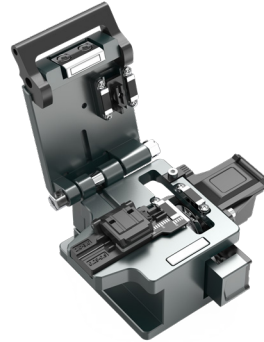
Fiber Material	Silica glass
Cladding Diameter	125 μm
Cleaved Length	Single fiber: 8~20mm / Ribbon fiber: 10mm
Applicable Fiber Cable	Single fiber: 250 μm , 900 μm , 3.0mm; Fiber cable and flat cable Ribbon fiber: 2 to 12 ribbon fiber cable
Typical Cleaved Angle	Less than 0.5° ★①
Typical Blade Life	Total 48,000 fiber cleaves (replaceable) ★②
Off-cut Collector	Pre-fitted
Type of Offcut Bin	Manual
Auto Return	Pre-fitted
Fiber Holder	Double Fiber Holders
Dimension	63W *77D*63H(mm)
Weight	335g

★① Cleaved angel may vary depending on the operating environment.

★② Blade life is not guaranteed. It may vary depending on the operating environment.



Product Display



Contact us

Nanjing Jilong Optical Communication Co., Ltd

Address: 12F, Changfeng Technology Building 2, NO.14
Xinghuo Rd, Pukou District Nanjing, Jiangsu, 210032, China

Tel: +86 25 58880885

Mail: info@jilongot.com

Web: www.JILONGOT.com



Focus on official
website for more